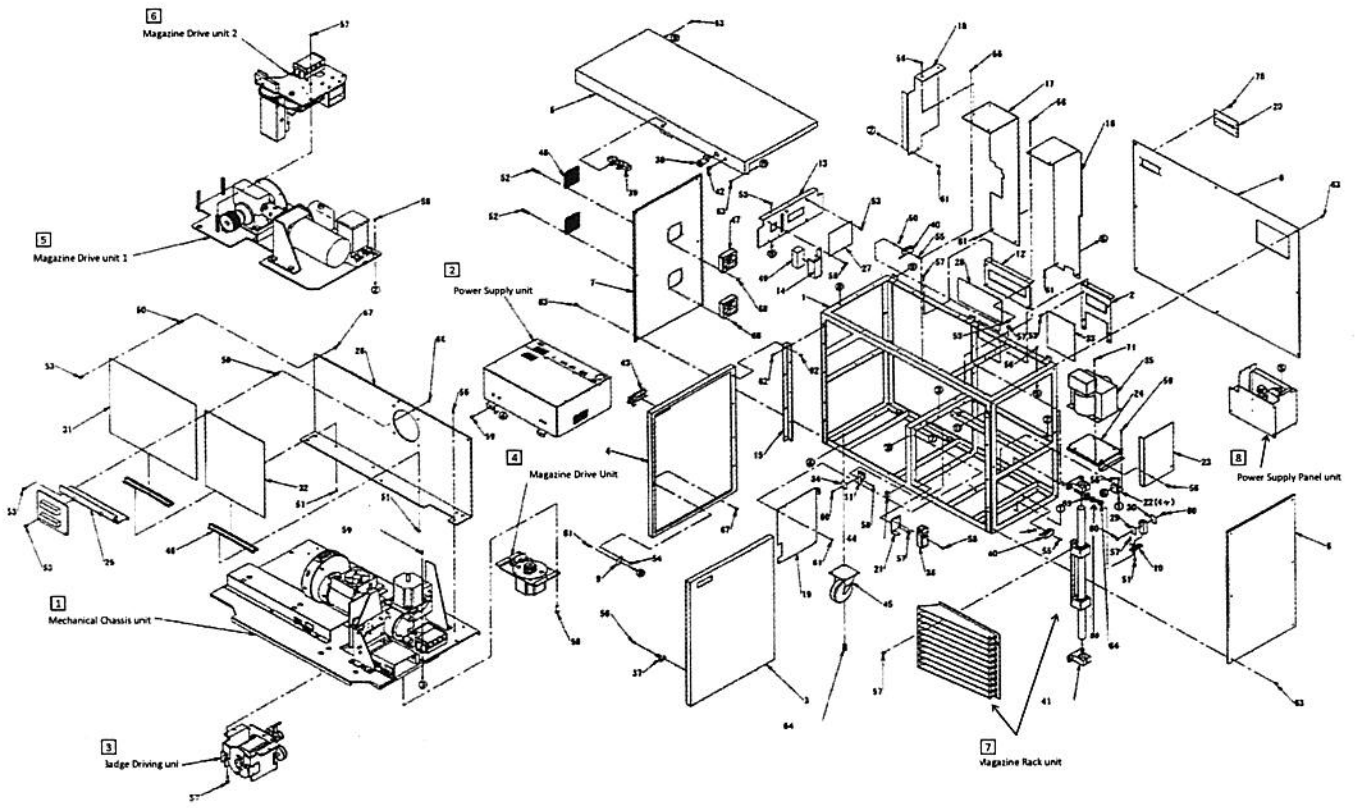


0 UD-7900 ASSEMBLY



0 UD-7900 ASSEMBLY

Ckt.No.	Order No.	Parts No	Part Name	Q'ty/Unit	order min.Q'ty
1	UD-S*7900028	-	Mechanical Chassis unit	1	1
2	UD-S*7900029	-	Power Supply unit	1	1
3	UD-S*7900002	-	PM2 unit	1	1
4	UD-S*7900003	-	PM3 unit	1	1
5	UD-S*7900030	-	Magazine Drive unit 1	1	1
6	UD-S*7900031	-	Magazine Drive unit 2	1	1
7	UD-S*7900032	-	Magazine Rack unit	1	1
8	UD-S*7900033	-	Power Supply Panel unit	1	1
1	-	UDM7900C01-3	Frame	1	-
2	-	UDM7900012-1	PCB PLATES	1	-
3	-	UDM7900021-2	Front panel(L)	1	-
4	-	UDM7900022-2	Front panel(R)	1	-
5	-	UDM7900023-2	Top panel	1	-
6	-	UDM7900024	Side panel(R)	1	-
7	-	UDM7900025	Side panel(L)	1	-
8	-	UDM7900026-1	Rear panel	1	-
9	-	UDM7900027	Front door bracket	1	-
10	-	UDM7900031	Shelf sensor bracket	1	-
11	-	UDM7900036-1	Tray sensor bracket	1	-
12	-	UDM7900051	Bracket 1	1	-
13	-	UDM7900052-1	Bracket 2	1	-
14	-	UDM7900053-1	H/Y fixed board	1	-
15	-	UDM7900056-1	Door hinge	2	-
16	-	UDM7900060	Cover 1	1	-
17	-	UDM7900061	Cover 2	1	-
18	-	UDM7900062	Cover 3	1	-
19	-	UDM7900063	Cover 4	1	-
20	-	UDS7900080D	Cable cover	1	-
		UDS7900080U	Cable cover	1	-
21	-	UDM794X086	Door switch bracket	1	-
22	-	UDM794X087	Cover mount bracket	4	-
23	-	UDM794X088	Trans cover	1	-
24	-	UDM794X089	Trans mount bracket	1	-
25	-	UDM794X090	Board mount braket	1	-
26	-	710A0112-2	PCB&FAN braket	1	-
27	UD-S*7900018	501-UDP790052-J1	Analog control PCB	1	1
28	UD-S*7900019	501-UDP790053-J2	Digital control PCB	1	1
29		501-UDP790055-J1		1	
30	UD-S*7900020	501-UDP790055-J2	Sensor PCB set	1	See P.41
34		501-UD730A011J		1	
31	UD-S*7900021	501-UDP710X06BJ2	Hybrid Integrator PCB	1	1
32	UD-S*7900022	501-UD710A004BJ	Mechanism control PCB	1	1
33	UD-S*7900023	501-UD730A001DJ	Changer control PCB	1	1
35	UD-S*7900024	DVS840UTE1500	Trans 220V->100V	1	1
	UD-S*7900025	DVSH120AE7X	Trans 120V->100V	0	1
36		K0AALFK00001		1	
37		K0YZ00000082		1	
38/42	UD-S*7900026	UDH7900013B1	Switch set	1	1
39		Z-15HQ		2	
40		Z-15GM		2	
41	-	SH30A	Shaft support	2	-
43	-	C2-33-25	Door handle	2	-
44	-	TM-166-23	Door cushion	4	-

*: A (for USA)/E (for Europe)/J (for Japan)

Ckt.No.	Order No.	Parts No	Part Name	Q'ty/Unit	order min.Q'ty
45	-	100WJS-UB	Caster	4	-
46	-	RFG1P	Guide	2	-
47	UD-S*7900027	UDH7900027-1	FAN set	1	See P.41
		UDH7900028-1		1	
48		09325F/45		2	
		08132		2	
49	-	A00002	Heat flux sensor set	1	-
50	-	SA55M3-10-BS	Stud	8	See P.38/39
51	-	XSS3+6FJ	Screw-flat	6	See P.38/39
52	-	XSS4+40FJ	Screw-flat	8	See P.38/39
53	-	XYN3+C8FJ	Screw-pan	21	See P.38/39
54	-	XYN3+C10FJ	Screw-pan	2	See P.38/39
55	-	XYN3+J25FJ	Screw-pan	4	See P.38/39
56	-	XYN4+C8FJ	Screw-pan	29	See P.38/39
57	-	XYN4+C10FJ	Screw-pan	22	See P.38/39
58	-	XYN4+C25FJ	Screw-pan	4	See P.38/39
59	-	XYN5+J12FJ	Screw-pan	10	See P.38/39
60	-	XST3+6FN	Screw-truss	3	See P.38/39
61	-	XST4+8FN	Screw-truss	11	See P.38/39
62	-	XST4+10FN	Screw-truss	18	See P.38/39
63	-	XST5+10FN	Screw-truss	25	See P.38/39
64	-	XVG8A20FJ	Bolt	20	See P.38/39
65	-	XWE8FJ	Washer	20	See P.38/39
66	-	XWA8FJ	Spring washer	20	See P.38/39
67	-	XNG3FJ	Nut	6	See P.38/39
68	-	XNG3FJ		8	See P.38/39
69					
70					
71	-	XYN6+C16FJ	Screw-pan	4	See P.38/39
72					
73					
74					
75					
76	-	PE-0408	Plastic Screw	4	See P.38/39
77					