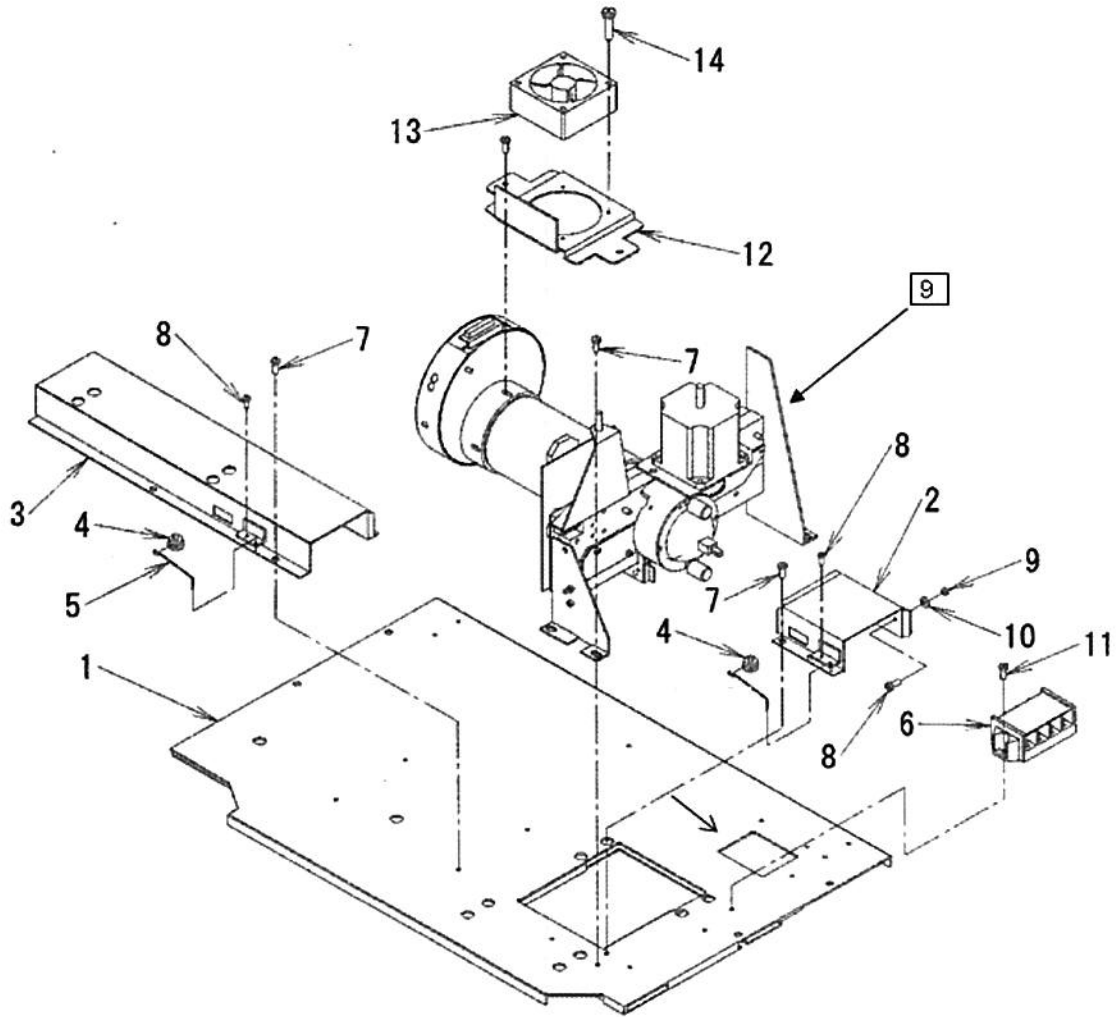


**1** Mechanical Chassis unit (UD-S\*7900028)



1 Mechanical Chassis unit (UD-S\*7900028)

Order  
min.Q'ty

1

Ckt.No.	Order No.	Parts No	Part Name	Q'ty/Unit	order min.Q'ty
9	UD-S*7900040	-	Housing unit	1	1
1	-	710A0111-7	Mechanism chassis	1	-
2	-	710A0113ANH	Magazine guide1	1	-
3	-	710A0114ANH	Magazine guide2	1	-
4	UD-S*7900004	710A0116	Guide Roller set	1	See P.40
		710A0117		1	
6	-	JTP30-4U-ULCSA	Terminal block	1	-
11	-	-	Screw-pan(attached)	2	-
7	-	XYN4+J8FJ	Screw-pan	11	See P.38/39
8	-	XYN3+J8FJ	Screw-pan	3	See P.38/39
9	-	XNG3FJ	Nut	1	See P.38/39
10	-	XWA3BFJ	Spring washer	1	See P.38/39
12	-	UDM7900054-1	FAN bracket	1	-
13	UD-S*7900027	UDH7900047-1	FAN set	1	See P.41
		109-1003G		1	See P.41
14	-	XYN3+J30FJ	Screw-pan	4	See P.38/39

\*: A (for USA)/E (for Europe)/J (for Japan)