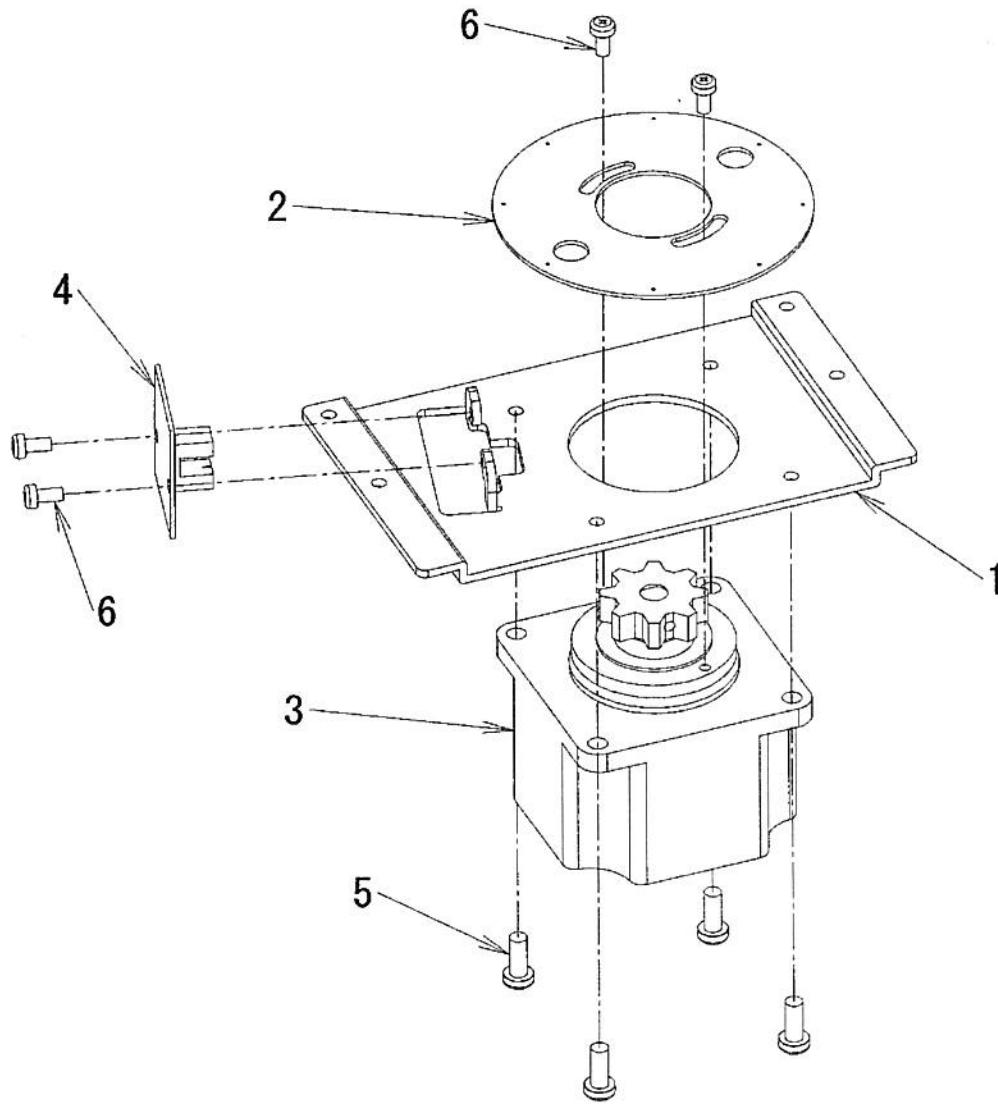


4 PM3 unit (UD-S*7900003)



4 PM3 unit (UD-S*7900003)

Order
min.Q'ty

1

Ckt.No.	Order No.	Parts No	Part Name	Q'ty/Unit	order min.Q'ty
1	-	710A0091-1	Chassis	1	-
2	-	710A0094-2	Disc	1	-
3	-	600-UDE710XPM3-2	PM3 Assy' with connector	1	-
4	UD-S*7900001	501-UD710A020J6	Sensor PCB kit 1	1	See P.40
5		XYN4+J10FJ	Screw-pan	4	See P.38/39
6		XYN3+J6FJ	Screw-pan	4	See P.38/39