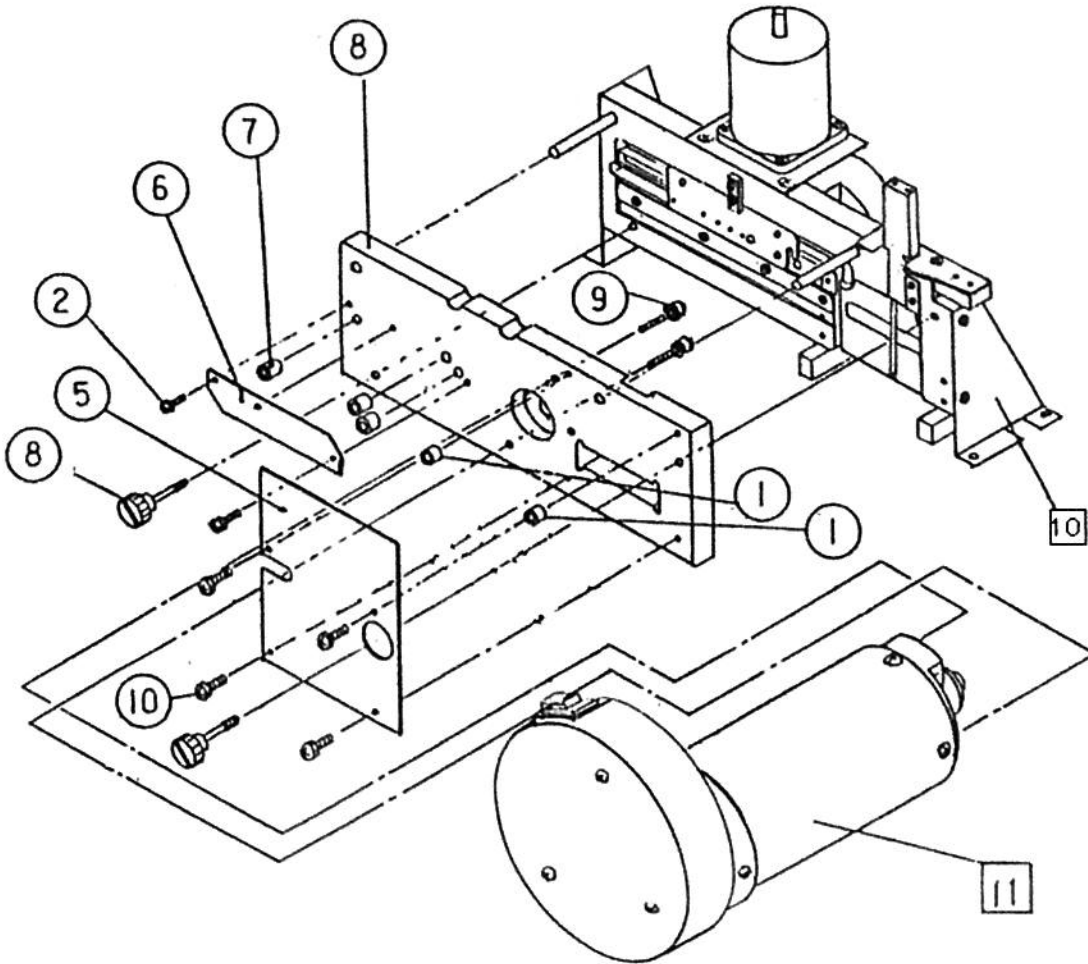
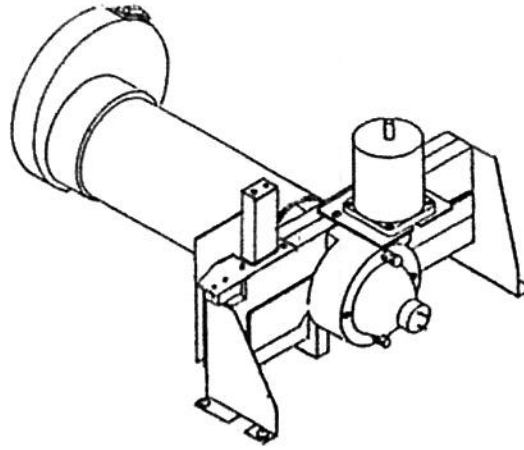


9 Housing unit (UD-S\*7900040)



9 Housing unit (UD-S\*7900040)

Order min.Q'ty 1

Ckt.No.	Order No.	Parts No	Part Name	Q'ty/Unit	order min.Q'ty
1	-	(MSC01-02)	Collar(included in NCR PCB)	2	-
2	-	XYN3+C10FJ	Screw-pan	2	-
3					
4	-	702A0036K	Screw-knob	2	-
5	UD-S*7900011	501-UDP710X11DJ1	No.Code Reader	1	1
6	UD-S*7900001	501-UD710A014BJ	Sensor PCB kit 1	1	See P.40
7	-	710A0016	LED tube	3	-
8	UD-S*7900017	710A0002C	Sub Housing	1	1
9	-	XYN4+C16FJ	Screw-pan	2	See P.38/39
10	-	XYN3+C16FJ	Screw-pan	4	See P.38/39
10	UD-S*7900041	-	Main housing unit	1	1
11	UD-S*7900005	-	PMT unit	1	1